

Setup and assembling

Check the Main unit and accessories

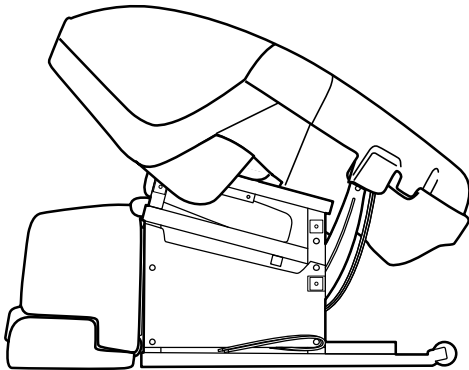
WARNING

Do not use accessories other than those which accompany the chair. Doing so may cause product malfunction.

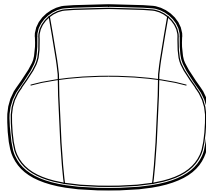
User manual documents

- User manual
- Setup and assembling

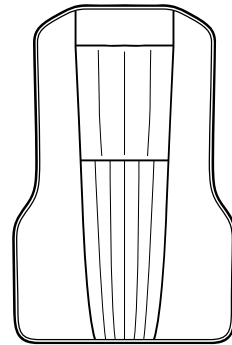
● Whole



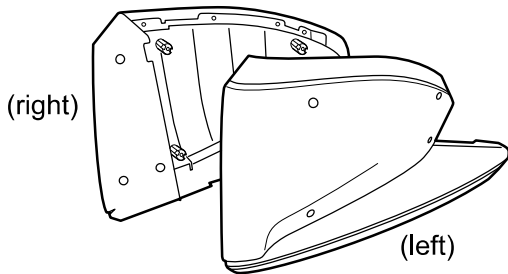
● Pillow



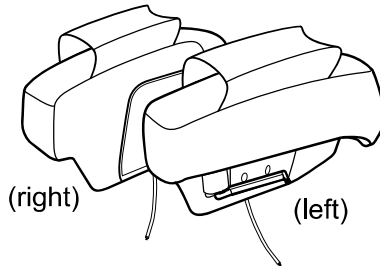
● Back pad



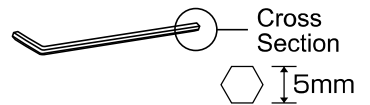
● Armrest (left)(right)



● Arm unit (left)(right)



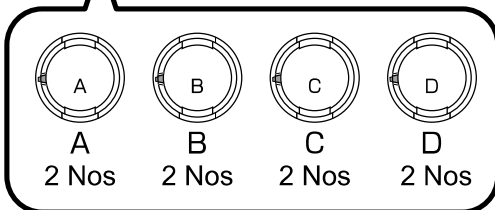
● Hex wrench



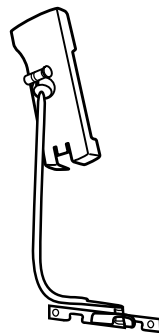
● Cap (8 No's)



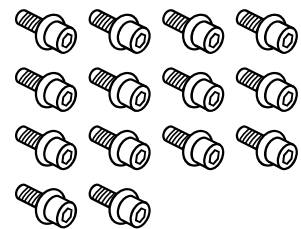
※ There are symbols for each surface. Please check



● Remote control stand



● Armrest / Arm unit fixing screw 14 screws



Deciding the setup place of whole unit

DANGER

Do not use or store in the bathrooms or places of high humidity or moisture. Electrification, fire, accidents, and moulding may occur.

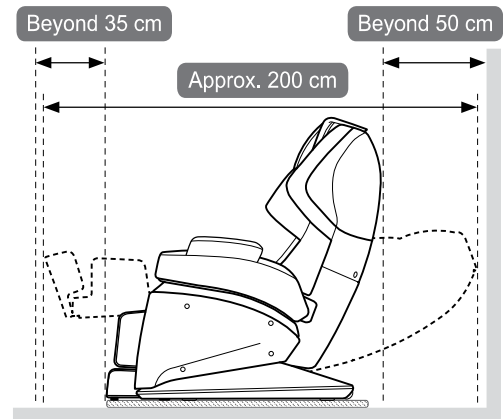
WARNING

Use the chair on a level surface. Do not use outdoors. Damage or accidents may occur.

Do not close to stoves or other sources of fire, nor smoke whilst using the chair. Do not use on heated carpets or other heating equipment. Do not operate under blanket or pillow. Excessive heating can occur and cause fire, Electric shock, or injury to persons. Keep the cord away from heated surfaces. This may cause fire.

It should be installed in a flat surface where there is 50cm space from behind for reclining.

- If power supply is switched ON, then body automatically moves backwards and foot rest rises till it reaches the standby position. It is good to have the main unit surrounding with more than 35cm space from front and 50cm space from behind.
- During reclining, even the foot rest raises.
- Do not setup the whole unit in places where there is direct sunlight every day, or near heat appliances or near high temperature. Failure to do so may lead to color change or quality degrading in main unit.



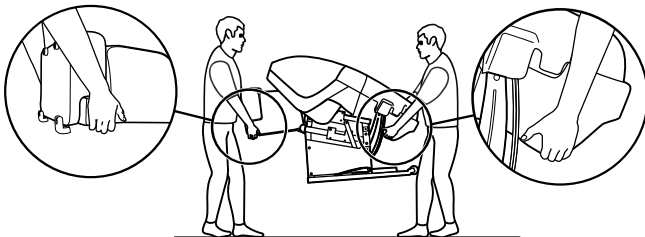
Whole Setup

WARNING

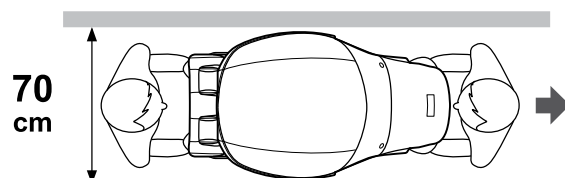
Do not move the chair while people or items are on the chair. Damage or injuries may occur.
Do not haul the chair itself or move with the casters on the floor where it easily gets scratches.
Do not pull the power chord or remote control chord with leg or wrap with caster.
Failure to do so may cause injury.

The front part and back part is lifted and operated using hands.

- Since it is a heavyweight unit, it should be carried by 2 or more persons.
- Watch your steps carefully and lower it slowly.



Frontage should be **70cm** or more (68cm width to carry the whole + 2cm width for protection)

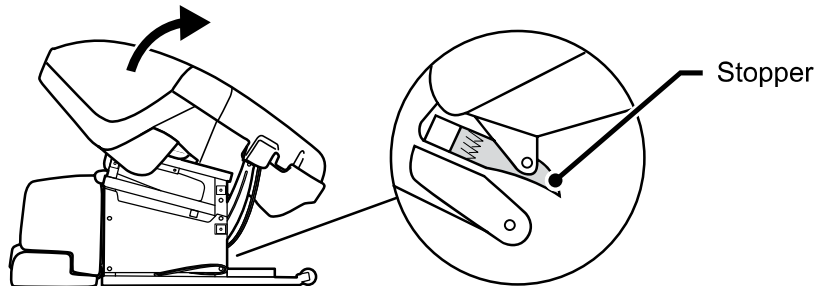


Setup and assembling

Raising the backrest part

Raise the backrest part in arrow mark direction and check that it is fixed in stopper (O part) position.(Generates clinking noise)

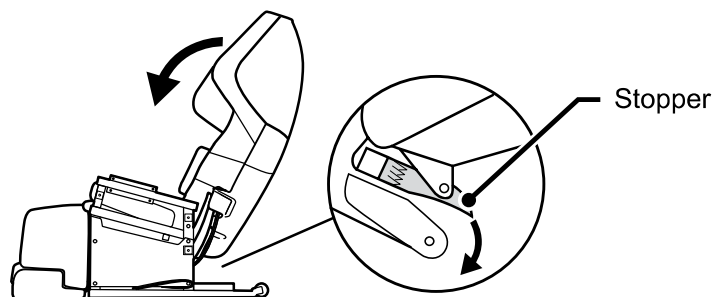
- When moving the backrest part, hand or finger should not be inserted in between seat and back rest position.
- And care should be taken in such a way that remote control cord and power cord doesn't get held between seat and back rest position.



When lowering the backrest position

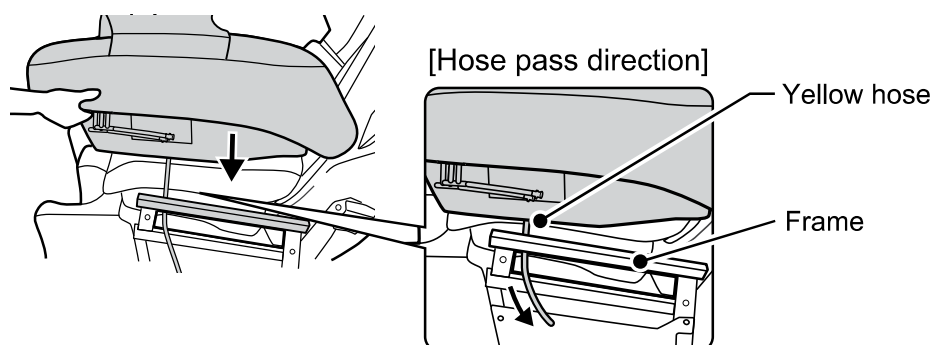
Press and raise the stopper from the center of backrest part as shown in arrow mark and lower forward the backrest part by hand support, after releasing the stopper.

- Care should be taken in such a way that it is not lowered suddenly.
- The backrest part should not be lowered when the arm rest and arm unit are not installed.
- During stopper operation, except the stopper lever, nothing should be touched.

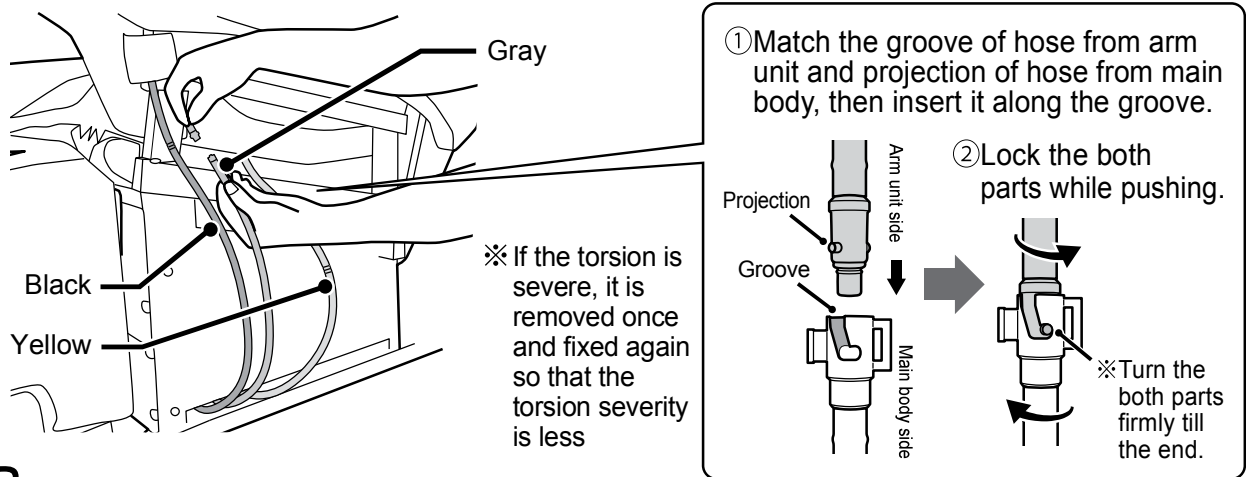


Arm unit installation (Both left and right direction)

1. The arm unit is inserted after yellow hose is passed between seat and frame.



2. Connect the Arm unit hose (gray/black/yellow) matching with color of whole hose.



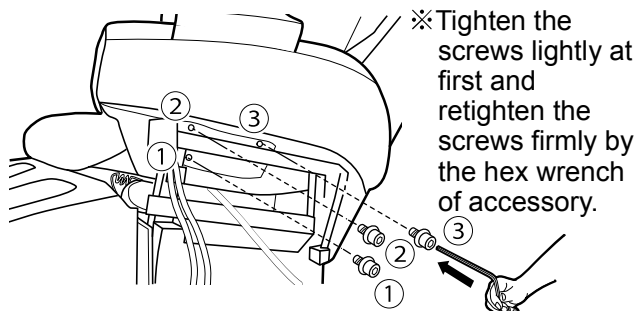
3. Screw the Arm unit.

The remote control stand is also screwed together during remote control stand fixation. When screwing them as follow.

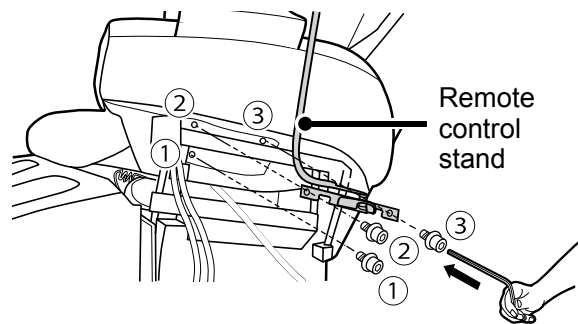
①anteroinferior→②anterosuperior→③posterosuperioe

- Remote control stand is usually fixed in left hand side.
- Press the arm unit firmly toward to the frame and screw it.

[When Arm unit is only fixed]



[When remote control stand is fixed]



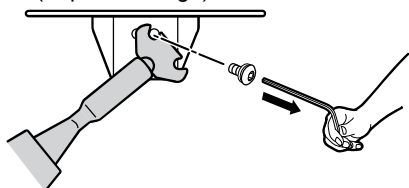
※When remote control stand is fixed in right hand side

- The following operation is carried out only when remote control stand is fixed in right hand side. This operation is not necessary if the remote control stand is fixed in left hand side.

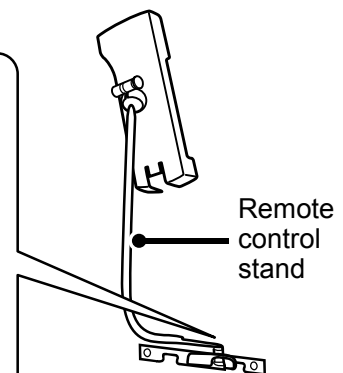
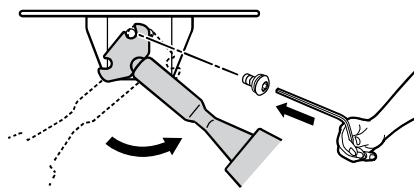
- (1) Remove the base part screw of remote control stand.
- (2) The remote control stand is bent towards right and the screw is fixed in left screw hole.

(1) Remove the Screw.

※Enlarged image of remote control stand base part (Top view image)



(2) The stand is bent towards right and screw is fixed by matching the right side dent to the left screw hole.



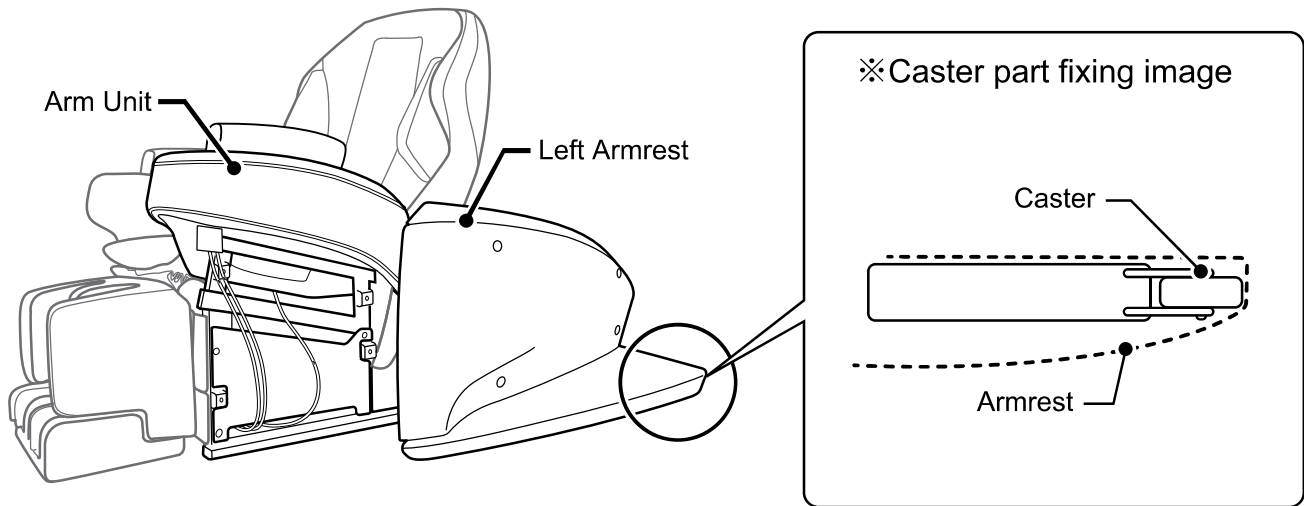
Setup and assembling

Fixing the arm rest

[Fixing of left armrest]

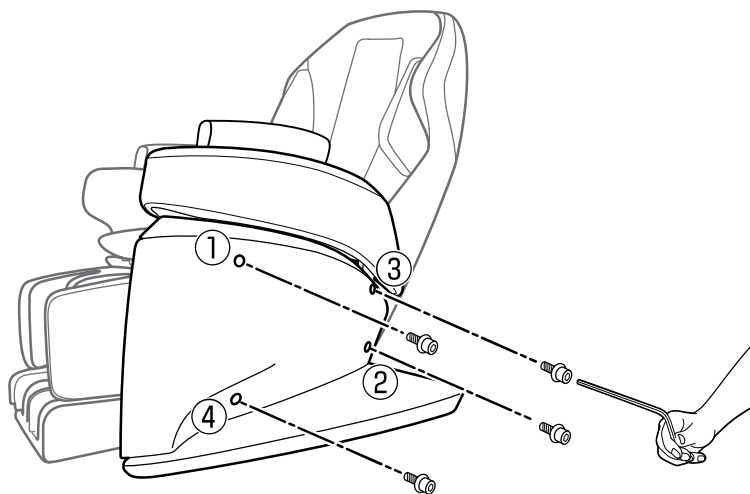
1. (1) Front side of left arm rest is matched with frame.
(2) Arm unit is matched to back side by lifting it.

※The arm unit should surely be lifted when matching it with the whole unit,
Failure to do so, then the armrest will be in contact which may lead to damage.



2. Firmly screw with armrest screw.

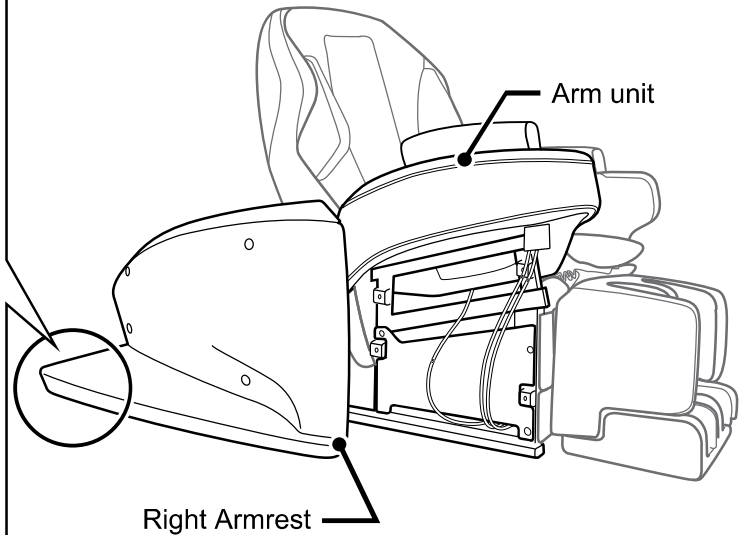
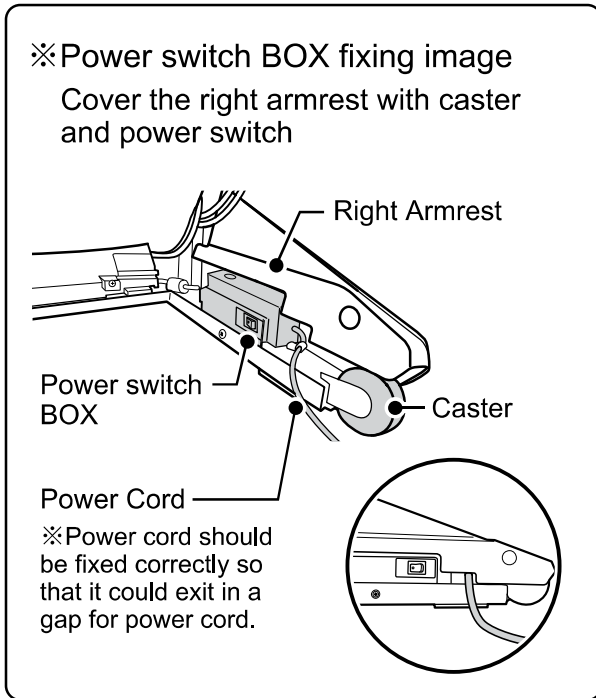
- The arm unit screw is temporary screwed with hex wrench in order (1)->(2)->(3)->(4) as shown in below image and again it is firmly screwed in the same order (1)->(2)->(3)->(4).
- The armrest gets removed if it is not screwed firmly and it may lead to accident or injury



[Fixing of right armrest]

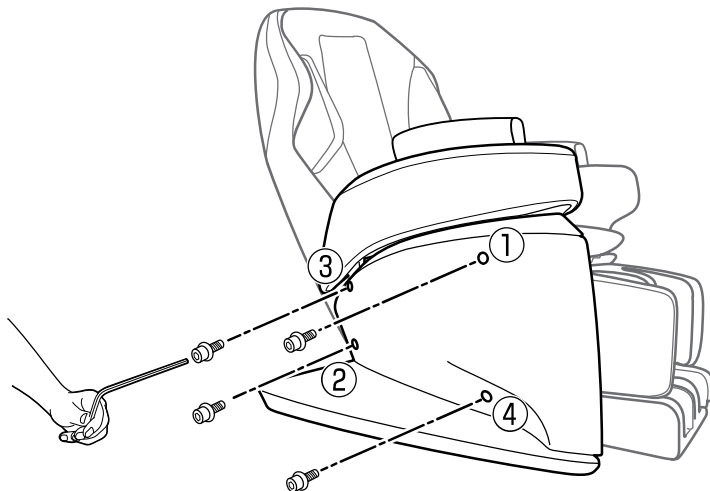
1. (1)The back side of right armrest should be matched with power switch BOX.
(2) Arm unit is matched to back side by raising it.

※The arm unit should surely be lifted when matching it with the whole unit.
Failure to do so then the arm unit will be in contact and may lead to damage.

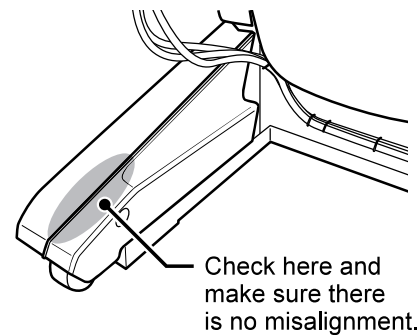


2. Firmly screw with armrest screw

- The arm unit screw is temporary screwed with hex wrench in order (1)->(2)->(3)->(4) as shown in below image, and again it is firmly screwed in the same order (1)->(2)->(3)->(4).
- The armrest gets removed if it is not screwed firmly and it may lead to accident or injury



- Check if there is no misalignment in the back of armrest after assembling.

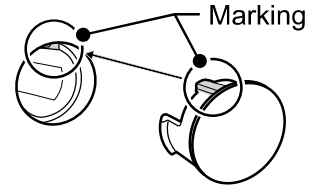


Setup and assembling

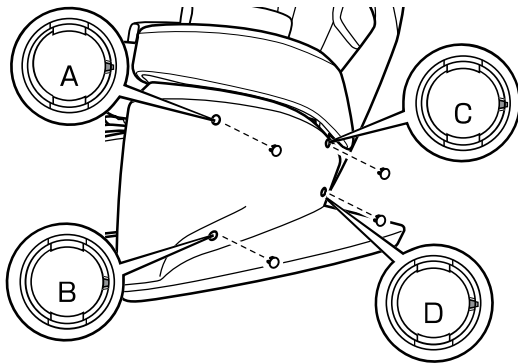
3. Fixing the Cap (Right/Left direction)

- Cap for fixing each hole is decided.
- Check the surface symbol of cap and fix it.
- When the cap is raised to the surface, check as there are possibilities of insertion mistakes.

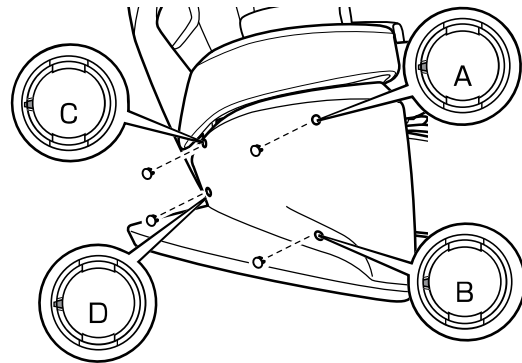
※ Aim the marking part and match the dent part of the main unit with the cap side convex part and fix it.



[For Left side]



[For Right side]



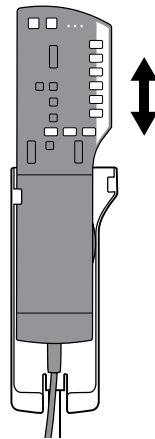
Fixing the Remote control

[Fixing method]

Remote control should be inserted from the top.

[Removing method]

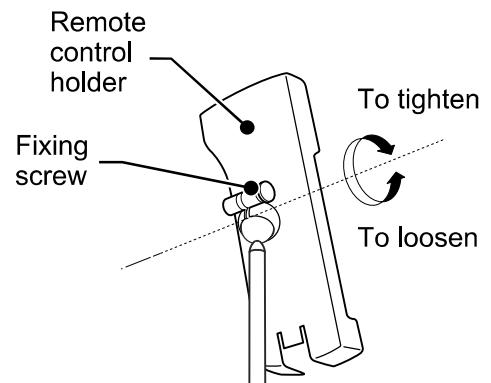
Remote control should be pulled out from the top.



[Adjustment method of remote control holder]

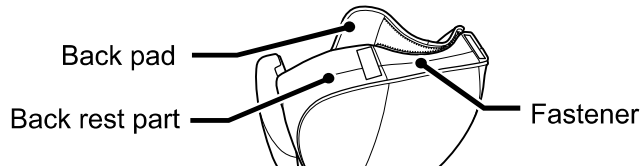
Fixing screw is bent and fixed in preferred position.

※The remote control holder breaks if fixing screw is tightened strongly.

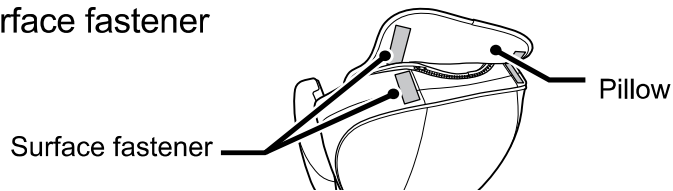


Attach the back pad and pillow

1. Back pad should be attached to the fastener of back rest part



2. Pillow should be attached to the surface fastener of back rest part



- When massage is performed, attach the back pad and rotate the pillow to the back side.
- When massage is felt as hard, attach the pillow and use it.
- When massage is not done, attach the back pad and pillow as such and use it as a reclining chair.

Grounding instructions

! DANGER

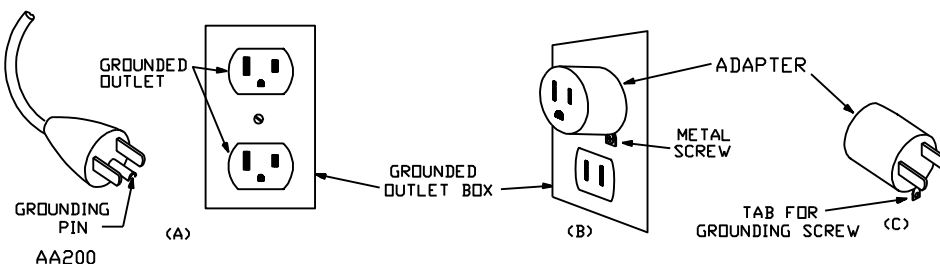
Improper connection of the equipment-grounding conductor can result in a risk of electric shock. Check with a qualified electrician or serviceman if you are in doubt as to whether the product is properly grounded. Do not modify the plug provided with the product – if it will not fit the outlet, have a proper outlet installed by a qualified electrician.

! WARNING

Ground should be installed firmly. When the ground is not installed, it may cause electric shock at the time of trouble and short circuit.

- ※ This product must be grounded. If it should malfunction or breakdown, grounding provides a path of least resistance for electric current to reduce the risk of electric shock. This product is equipped with a cord having an equipment-grounding conductor and a grounding plug. The plug must be plugged into an appropriate outlet that is properly installed and grounded in accordance with all local codes and ordinances.

Grounding methods



- ※ This product is for use on a nominal 120-V circuit, and has a grounding plug that looks like the plug illustrated in sketch A in Figure 86.1. A temporary adapter that looks like the adapter illustrated in sketches B and C may be used to connect this plug to a 2-pole receptacle as shown in sketch B if a properly grounded outlet is not available. The temporary adapter should be used only until a properly grounded outlet (sketch A) can be installed by a qualified electrician. The green colored rigid ear, lug, or the like extending from the adapter must be connected to a permanent ground such as a properly grounded outlet box cover. Whenever the adapter is used, it must be held in place by a metal screw.

When there is no ground terminal in the power outlet

Before purchase, discuss with electric shop, dealer and do the grounding (D-Class<Class-D> installation work/cost).